

Side awning markilux-790



Installation notes



These installation instructions are intended for trained fitters and electricians. They specify how this awning is to be installed and first operated.

Read them carefully before installing the awning as well as our general **safety instructions**.

Check the goods supplied for completeness and shipping damage before beginning installation.

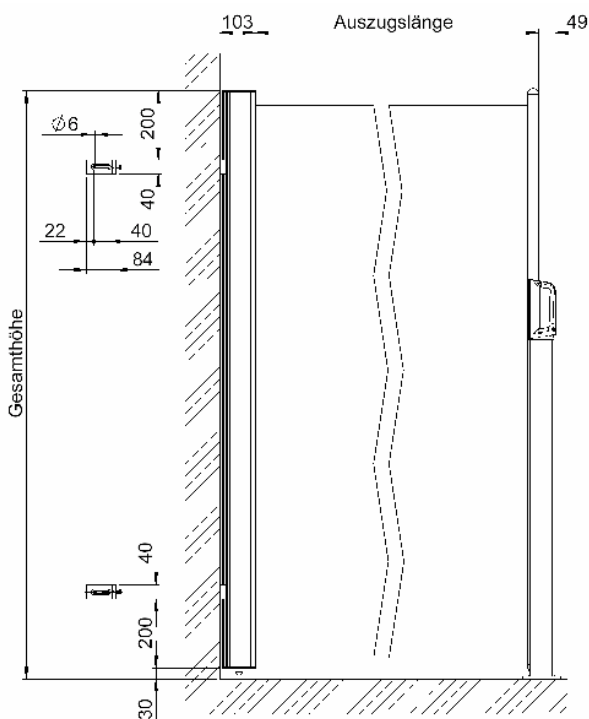
The sequence of installation and adjustment specified herein is always to be adhered to.

The side awning is shipped in the following parts.

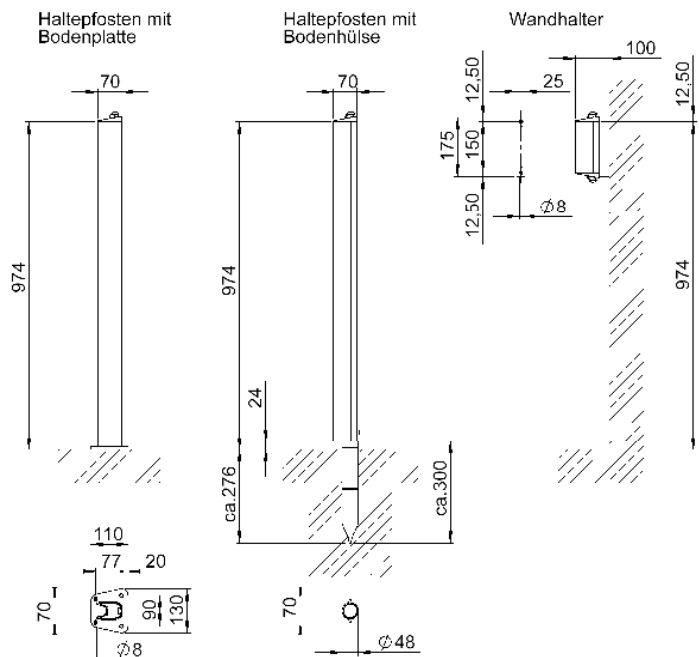
- Completely assembled cassette in protective foil
- 2 holders for cassette wall mounting
- Depending on order: 1 retaining post with base plate, 1 retaining post with ground sleeve or 1 wall holder

1. Fastening means

Overview of dimensions



Tension sectioning fastening means



2. Recommendations and instructions on fastening holders in place

This **side awning is supplied without** assembly screws, as differing wall materials etc. require differing types of fastening.

Fastening means must be such as safely distribute the forces exerted to the object/s used to hold the awning. Mathematical proof of the tensile forces exerted on the fastening screws on the basis of **70 N per m² pf awning fabric** is required. .

The fastening means used depends on the material it is secured to (steel beams, wood, etc.).

Maximum screw sizes for wall holder fastening:

Cheese-head screws	M6x...
Cheese-head sheet metal screws	6.3x...
Tensioning plate screws	6.0x
Wood screws	6.0x



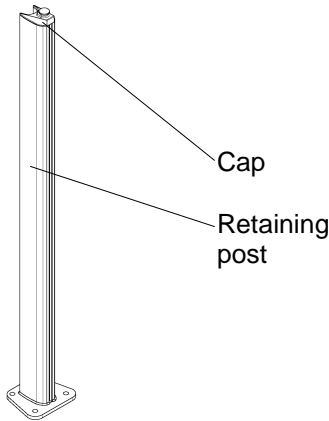
Caution

Maximum screw head height is 5.5 mm.

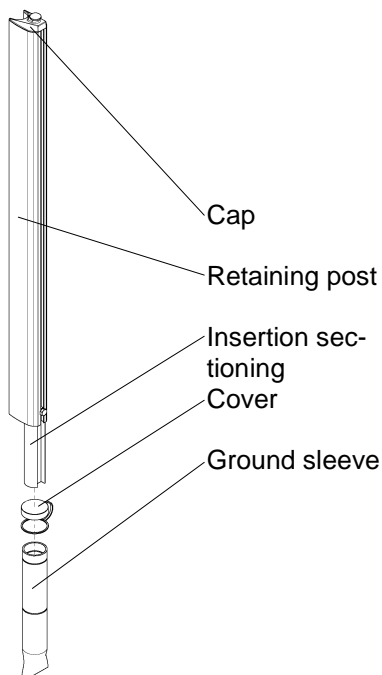
3. Installing / hanging up the awning

- 3.1 Remove the protective covering and check all parts are present.
- 3.2 Mark holder site where it is to be attached with drill holes and then drill. Both holders are to be installed with a 20 cm gap to the outer edges of the cassette awning. Additional brackets may be used.
- 3.3 Fasten the holders vertically above one another. They must be mutually aligned. (plumb line).
- 3.4 Hang the cassette in the holders, position it and tighten the SW10 securing screws.
- 3.5 Mark the position of the tension sectioning fastening means depending on awning extension length and fasten them in place.

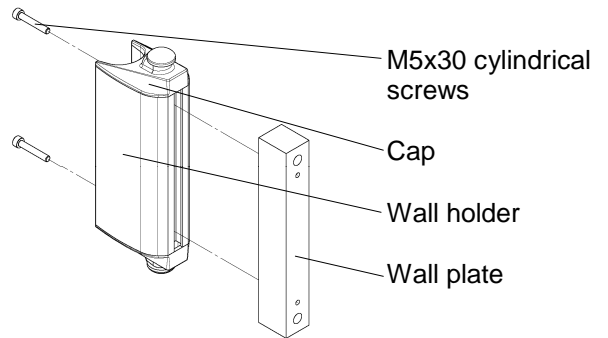
Retaining post with base plate is to be screwed in horizontally sited on a strong base.



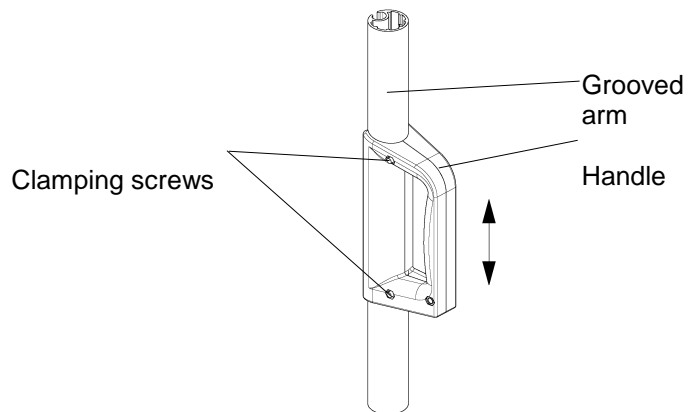
Retaining post with ground sleeve: anchor the sleeve plumb vertically in concrete, push the sectioning into the sleeve and then slide the retaining post on. Clamp the post in place with the hexagonal SW13 screw.



Wall holder: screw the wall plate approximately 985 mm high on the wall and mount the wall holder using the cylindrical SW4 screws.



3.6 The handle position can be adjusted with the clamping screw on the tensioning arm.



3.7 Set its height so that the awning is tensioned dead straight.

Caution. The clamping screws must be retightened after adjusting the handle height.

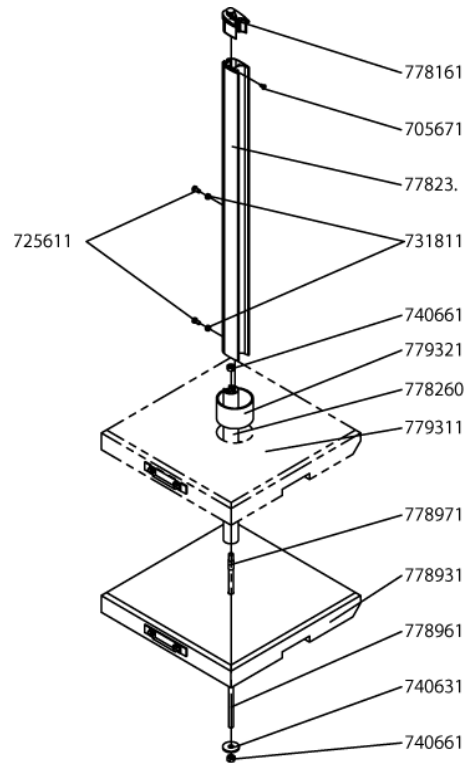
3. Safety note

Caution. Awning under tension. Keep a good hold of the handle when extending.

4. Important

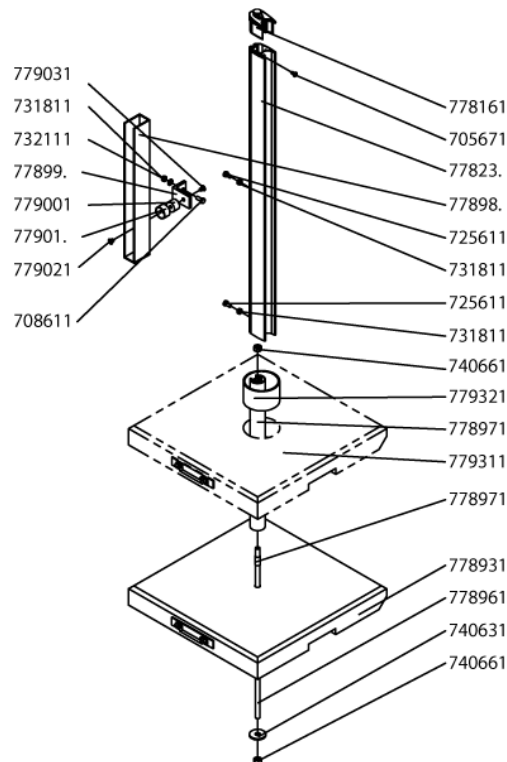
Hand over the attached **Operating Instructions** to the awning user and advise him or her comprehensively on awning safety and use.

4. mobilfix



779311 = optional

5. mobilfix +



779311 = optional

Important Information

1. Who is allowed to fit markilux Awnings?

The markilux fitting instructions are intended for qualified fitters, who have experienced knowledge in the following fields:

- Work safety, operating safety and regulations for the prevention of accidents
- Handling ladders and scaffolding
- Handling and transport of long, heavy components
- Handling tools and machines
- Attaching fastening materials
- Assessment of the construction material
- Commissioning and operation of the product

If one of these qualifications is lacking, a specialist installation firm must be commissioned.

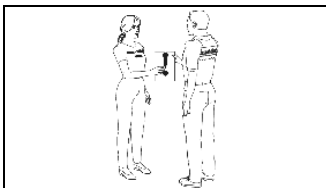
⚠ Electrical work: Electrical installations must be carried by a qualified electrician according to VDE 0100. The installation instructions enclosed with the electrical devices supplied are to be observed. It is recommended that fitting is performed with at least two persons, for larger awnings with three.

2. Before beginning with the installation, it is to be checked,...

- ... whether the fitting fixtures supplied correspond in type and number with the order ,
- ... whether the specifications made with the order concerning the fastening background correspond with the actual fastening background at hand (only for folding-arm awnings).

If divergences are determined herewith, which impair safety, then the fitting may not be carried out.

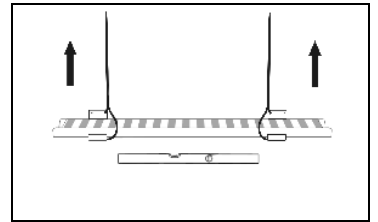
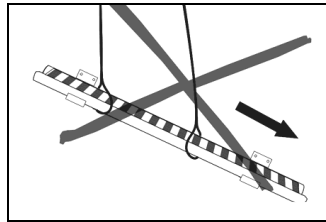
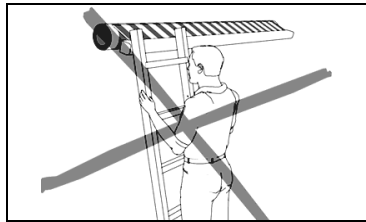
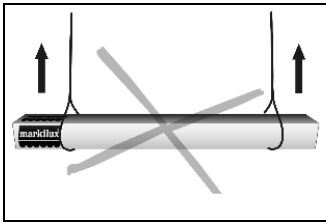
3. Reading and passing on the instructions



The safety and fitting instructions as well as the operating guides are to be read and observed!

The markilux operating guide, as well as the setting instructions of the motor, switch and controller manufacturers are to be handed over to the user with a **written** confirmation and fitted wind class (see handover declaration) He is to be comprehensively enlightened about the safety and usage information of the awning. With non-observance and maloperation, the awning can suffer damage and accidents can occur.

4. Working at greater heights



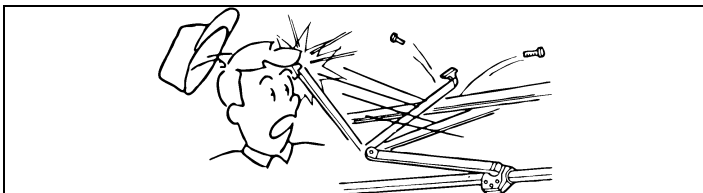
If the awning unit has to be hoisted to a higher area with the help of ropes, then the awning is

- to be removed from the packaging,
- to be connected with the lifting ropes in such a way, that it cannot fall out,
- to be pulled up evenly in a horizontal position.

The same also applies for the dismantling of the awning.

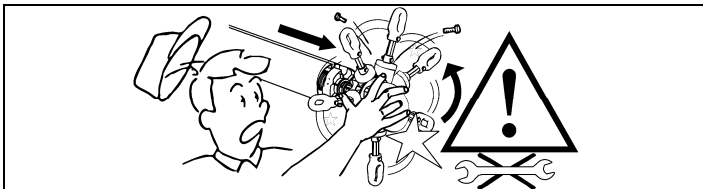
⚠ When working at greater heights, there is a risk of falling. Suitable climbing aids and appropriate fall safety devices are to be utilized.

6. Partly assembled awnings



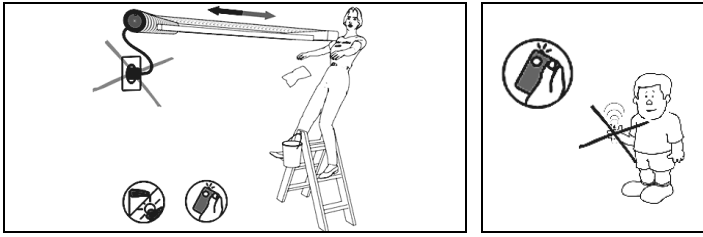
⚠ With awnings partly assembled at works - e.g. coupled folding-arm awnings without cover - those parts under spring tension (see illustration: example folding-arm awning) are to be secured against unintentional opening. These safety devices may only be removed after the installation is complete. There is a high risk of injury from the marked awning parts under tension!

7. Partly assembled awnings



⚠ The servo transmission of folding-arm awnings (marked with a sticker) may not be dismantled, it is under high tension! If the awning cover or the transmission is to be exchanged, beforehand please request the guide „What to do when... the servo drive needs to be dismantled?“.

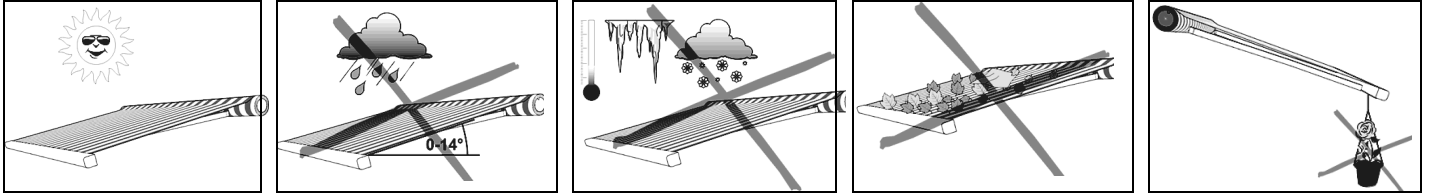
8. Uncontrolled Operation



⚠ When working in the range of travel of the awning (see illustration: example folding-arm awning), automatic control must be switched off. There is a risk of being crushed and falling down.

In addition, it must be ensured, that the unit cannot be unintentionally operated manually. For this, the power supply is to be interrupted, e.g. switch off safety switches or disconnect the connector coupling on the motor. Likewise, with manual operation the operating crank must be disengaged and safely stored away. If awnings are operated by several users, a priority switching interlocking device (controlled power interruption from outside) must be installed, which makes any extending and retracting of the awning impossible.

9. Proper intended use



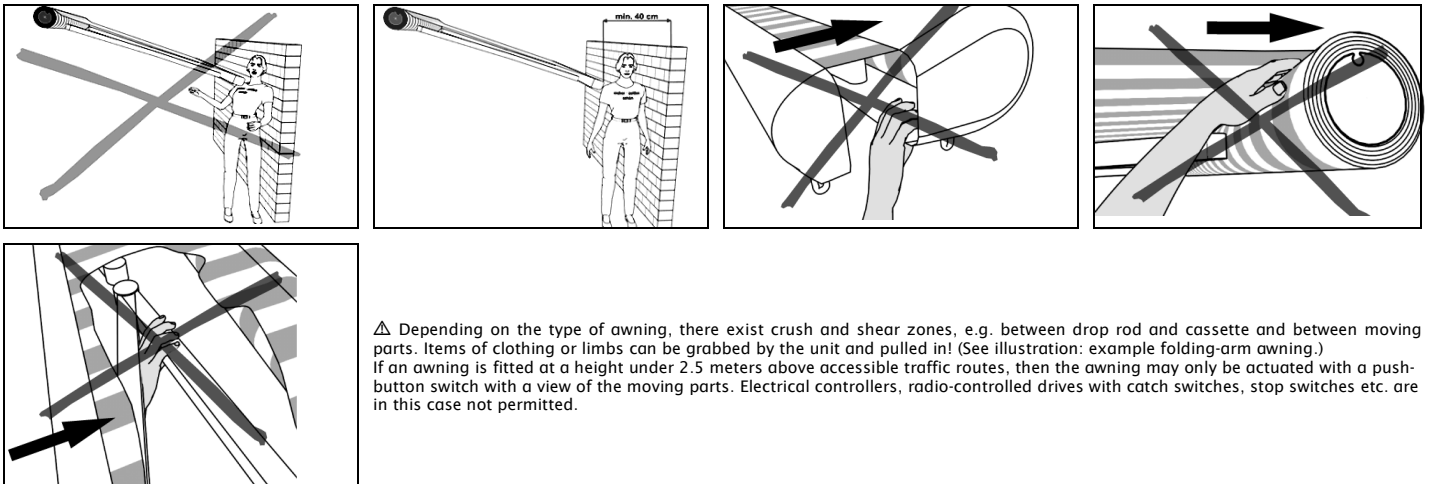
Awnings may only be used for the purpose defined in the operating guide. Modifications, such as add-ons and conversions not intended by the manufacturer, may only be performed with the written consent of the manufacturer.

Additional loading of the awning due to suspended objects or due to tensioned ropes/cables can lead to damage or to the collapse of the awning and are therefore not permitted.

The awning may not be subjected to high temperatures, strong vibrations or shaking or strong mechanical stress.

An accumulation of snow behind the awning is to be prevented by fitting a snow guard (snow fence or similar).

10. Crush and Shear Zones



⚠ Depending on the type of awning, there exist crush and shear zones, e.g. between drop rod and cassette and between moving parts. Items of clothing or limbs can be grabbed by the unit and pulled in! (See illustration: example folding-arm awning.)

If an awning is fitted at a height under 2.5 meters above accessible traffic routes, then the awning may only be actuated with a push-button switch with a view of the moving parts. Electrical controllers, radio-controlled drives with catch switches, stop switches etc. are in this case not permitted.